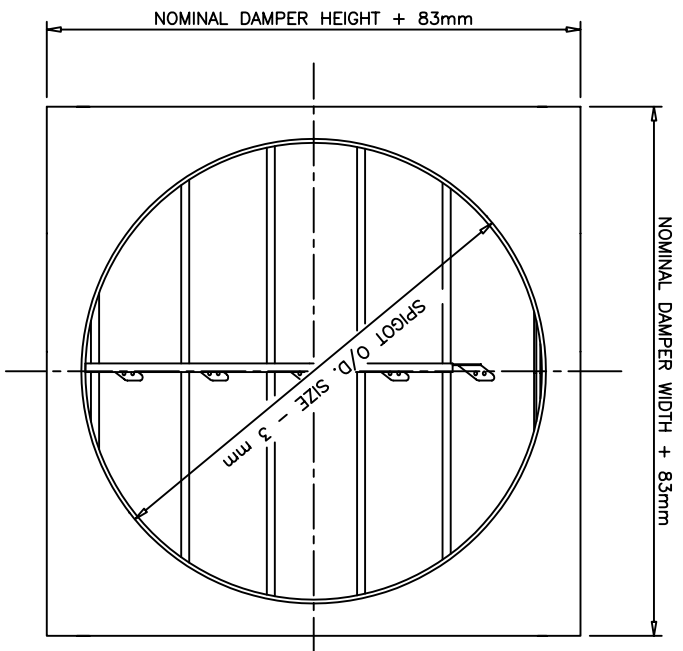
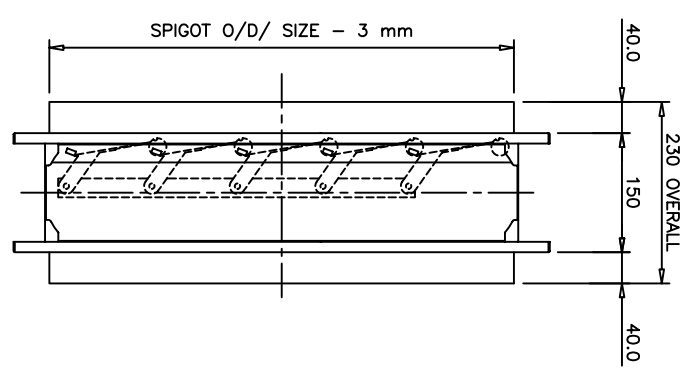


DO NOT SCALE FROM DRAWING

Rev No	Revision Note	Date	Signature
01	FIRST ISSUE	30/04/01	



FRONT ELEVATION



SIDE ELEVATION

**NOTES:**

**SIZE RANGE:** 100 TO 1000 WIDE x 150 TO 2050 HIGH

**OPERATING CONDITIONS:**

**VELOCITY:** 5 TO 15m/s  
**TEMPERATURE:** -10 TO +100 deg. C


**CONSTRUCTION:**

**CASING:** 1.2mm THK. GALV., 150 DEEP AND 40mm FLANGES c/w 10mm RETURN EDGE.

**BLADES:** 1.2mm THK. GALV. ALL BLADES LINKED INTERNALLY.

**BUSHES:** SINTERED BRONZE (OILITE).

1 2 3 4 5 6

B200	GALV.	MEDIUM VELOCITY NON-RETURN DAMPER c/w CIRCULAR SPIGOTS	Directory	Date	Scale
Drawn by	M TOMLINSON	Checked by	//CUSTOMER REFER.. /	30/04/01	1:10
 <b>KONVEKTA LTD.</b> KNOWSLEY ROAD IND. EST. HASLINGDEN, ROSSENDALE, TEL: 01706 227018 FAX: 01706 831124 E-MAIL: <a href="mailto:sales@konvektia.co.uk">sales@konvektia.co.uk</a> WEB PAGE: <a href="http://www.konvektia.co.uk">www.konvektia.co.uk</a>			CUSTOMER REFERENCE DRAWING		
			B200_CR07		

THIS DRAWING IS THE PROPERTY OF KONVEKTA LTD AND MUST BE RETURNED ON REQUEST. IT MUST NOT BE PASSED TO A THIRD PARTY WITHOUT WRITTEN PERMISSION. ©